

**Rocker Switch (RS1-8 (W) Series)**

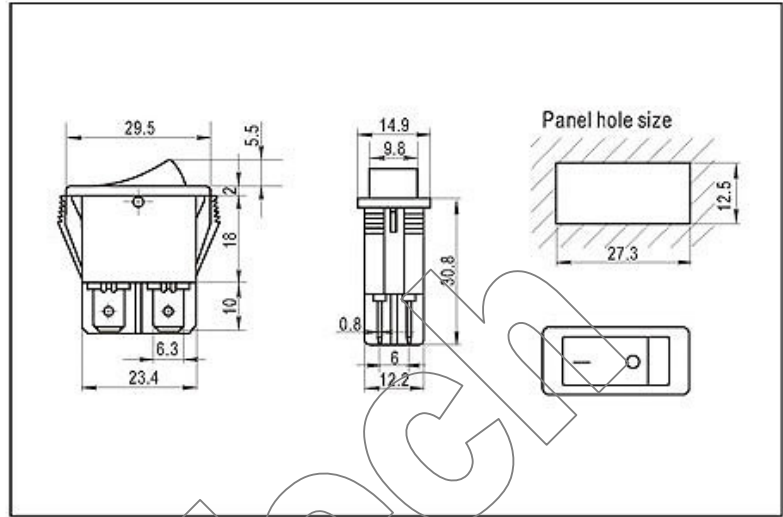


**SPECIFICATIONS**

16 (4) A 250VAC T125/55 1E4

16A 125V 1/2HP T105

**ROHS Compliance**



EXPLANATION MODEL NUMBER

**RS1-8(W) - 21 - C - 2 - BK/BK - P1**

